



Features

Processor

- ARM9 microprocessor with Vector FPU
- Memory Management Unit (MMU)
- 32KB Data Cache, 16KB Instruction Cache

External Memory Support

- DDR2 Memory
- Serial Flash / NAND Flash
- Flash Memory Cards (SD/SDHC/MMC, MS, MSPro, xD, CF)
- SDIO expansion port

Connectivity/Interfaces

- Integrated 10/100Mbit Ethernet MAC
- USB 2.0 host ports (2), USB 2.0 device port
 - WiFi, Bluetooth, and other USB peripheral support
- Multiple UARTs / SPI / I²C
- I²S audio interface
- Direct Touchscreen / Sensor support through Integrated ADC's

Image Processor

Hardware JPEG codec and Image Processor

- Adjustable Color Tables, Tonal Response Curve (TRC), filters to enable unique DPF features

- Hardware scaler to adjust images for aspect ratio
- Video Post Processor to accelerate Multimedia Processing

Hardware rotation

Display Support

- TFT LCD (Digital RGB) & CCIR656 support, up to HD resolutions
- Reference Designs for LVDS connections
- Complete DPF and Interactive Display Appliance Solution
 - ThreadX and Linux Operating System Support

Digital Camera Support

- Mass storage class
- Picture transfer protocol (PTP)

Timers

- Real-time clock with battery backup

A/D and PWM Control

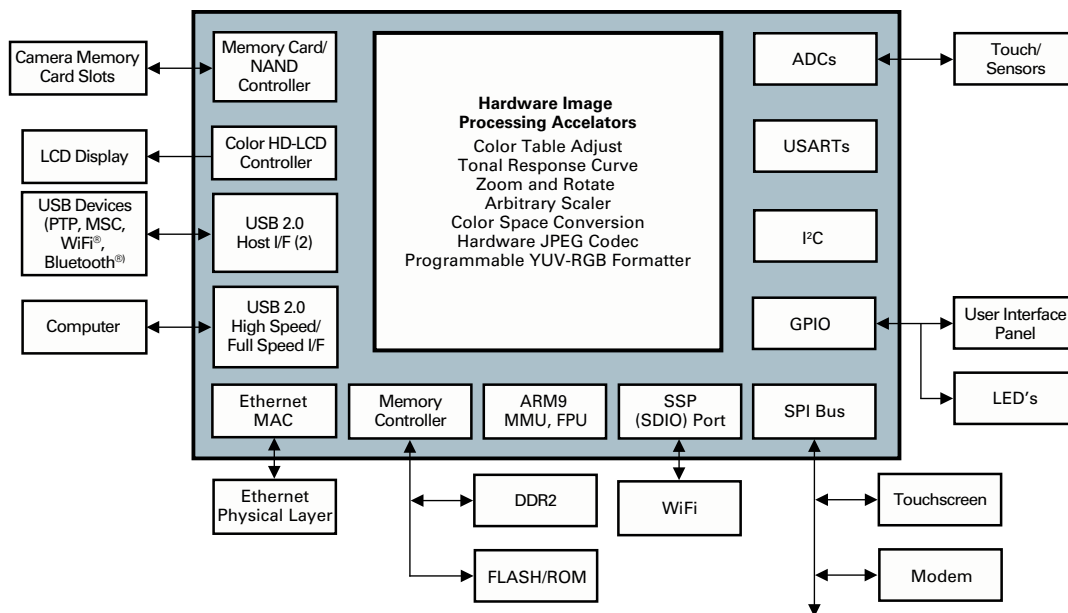
- Multi-channel 10-bit A/D
- Four pulse width modulators (PWMs) with firmware control

Package

- 289-pin ball grid array (BGA) fpBGA package - RoHS compliant

Development Environment

- C/C++ Compiler/Assembler/Linker
- JTAG In-Circuit Emulator
- PC Command Line Debugger/Profiler



CX92735 Block Diagram

Conexant Product Portfolio

Conexant's comprehensive product portfolio includes solutions for imaging, audio, and video applications, and analog modems that enable cost-effective Internet access. The company's broadband access products include end-to-end solutions for xDSL networks, and PON solutions for fiber optic applications.

© 2009 Conexant Systems, Inc. All Rights Reserved. Conexant and the Conexant logo are registered trademarks of Conexant Systems, Inc. All other trademarks are owned by their respective owners. Although Conexant strives for accuracy in all its publications, this material may contain errors or omissions and is subject to change without notice. **THIS MATERIAL IS PROVIDED AS IS AND WITHOUT ANY EXPRESS OR IMPLIED WARRANTIES, INCLUDING MERCHANTABILITY, FITNESS FOR A PARTICULAR PURPOSE AND NON-INFRINGEMENT.** Conexant shall not be liable for any special, indirect, incidental or consequential damages as a result of its use.

www.conexant.com
General Information:
 U.S. and Canada: (888) 855-4562
 International: 1+ (949) 483-3000
 Headquarters
 4000 MacArthur Blvd.
 Newport Beach, CA 92660
 Doc# PBR-202182

